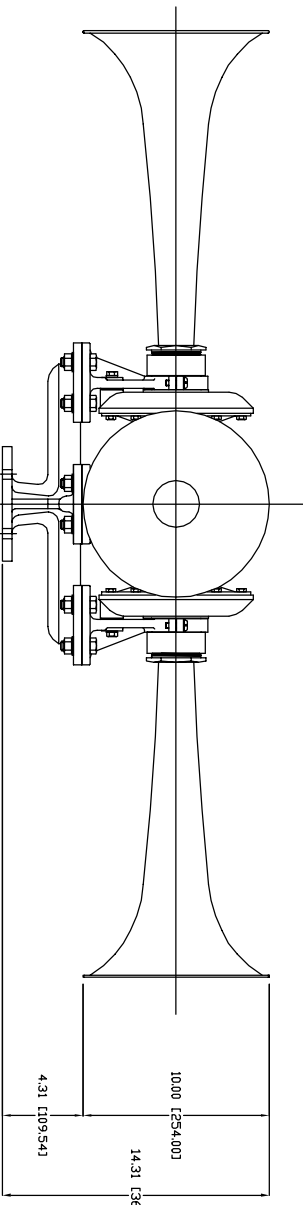


MATERIALS: CAST BRONZE & SPUN BRASS



TECHNICAL DATA

Frequency: 207 Hz
 Sound Pressure Level (dB(A) at 1 meter): 141dB
 Air Consumption: appx. 96 CFM @ 150 P.S.I.
 Air Pressure Req: 100 To 250 P.S.I.
 Electric Power: N/A
 Material: Spun Brass & Cast Bronze
 Net Weight: 130 Lbs.
 Shipping Weight: 226 Lbs.

Price: \$ U.S.D. Net. Ea.
 (Valid for 60 days, F.O.B. Two Rivers, WI, U.S.A.)



KAHLENBERG BROS. CO. TWO RIVERS, WI. U.S.A.

OUTLINE DIMENSIONS
 MODEL Q-3 AIRHORN
 FIGURE 4832

DATE	DRWG. NO.	REV.
05/15/01	3-6096	