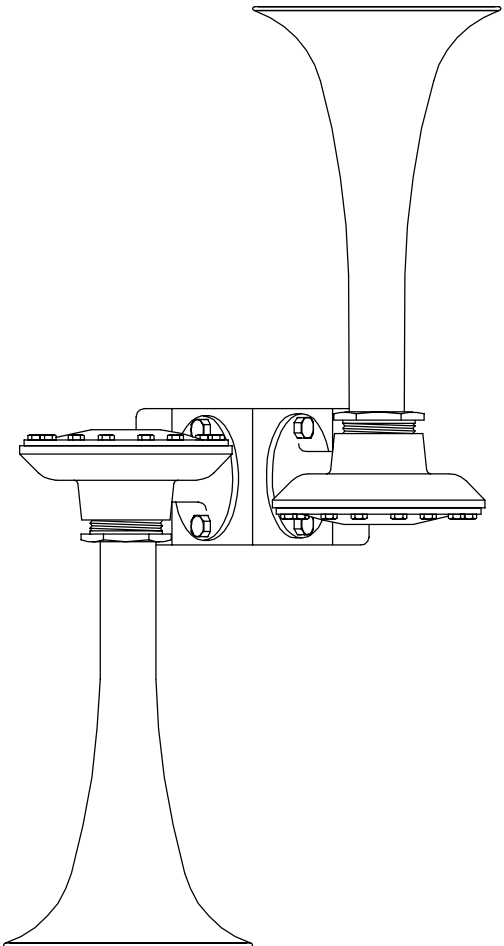
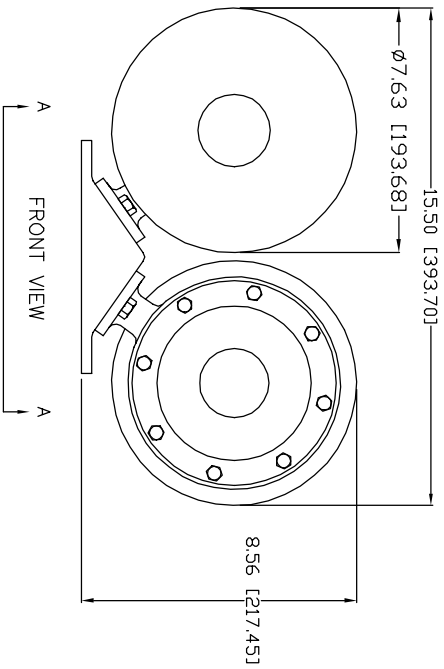


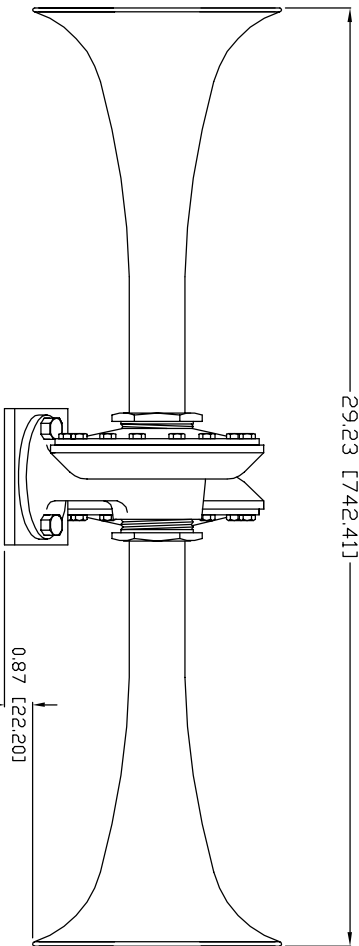
VIEW "A" - "A"



TOP VIEW



FRONT VIEW



SIDE VIEW

**TECHNICAL DATA**  
 Frequency: 265 Hz  
 Sound Pressure Level (dB(A) at 1 meter): 138dB  
 Air Consumption: appx. 44 CFM @ 150 P.S.I.  
 Air Pressure Req: 100 To 250 P.S.I.  
 Electric Power: N/A  
 Material: Spun Brass & Cast Bronze  
 Net Weight: 33.00 Lbs.  
 Shipping Weight: 40.00 Lbs.

Price: \$ U.S.D. Net. Ea.  
 (Valid for 60 days, F.O.B. Two Rivers, WI, U.S.A.)

**Kahlenberg's**  
 KAHLBERG BROS. CO. TWO RIVERS, WI. U.S.A.

OUTLINE DIMENSIONS  
 MODEL D-2 AIRHORN  
 FIGURE 282

DATE	DRWG. NO.	REV.
05/15/01	3-4427	