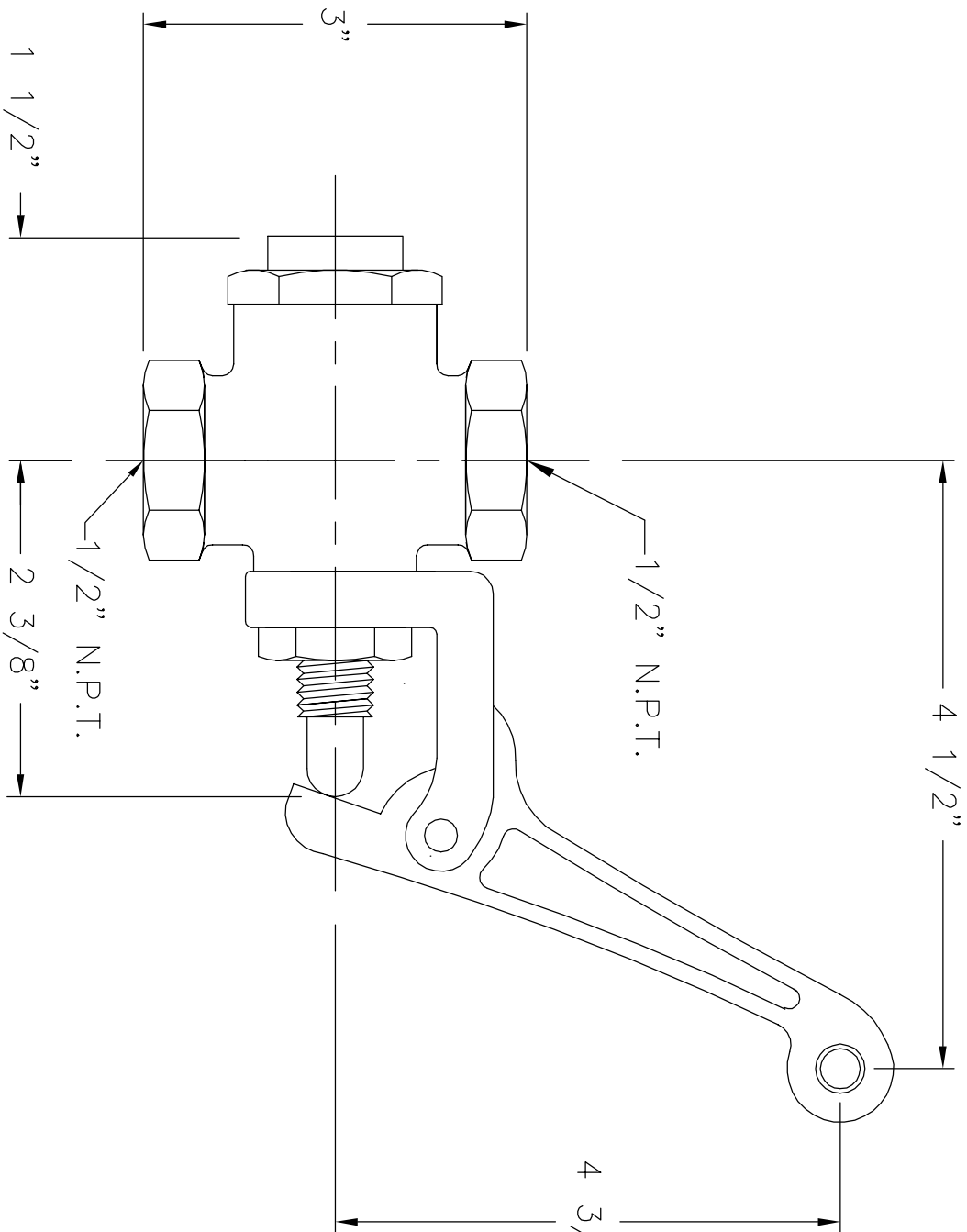


2-2123

REV.	BY	DATE	DESCRIPTION	APP'D.
C	ZJN	06/95	DIMENSION & PARTS UPDATE	SRK



NET WEIGHT  
1 1/2 LBS.

PL 2-5365

**Kahlenberg's**

KAHLENBERG BROS. CO. TWO RIVERS, WI. U.S.A.

OUTLINE DIMENSIONS  
BRONZE WHISTLE VALVE  
1/2" N.P.T., FIG. V-13, RENEWABLE  
DISC. 250 P.S.I. AIR, MARINE SERVICE  
VA / 22123 / 00000 / NF

DR.	DATE	CKD.	SCALE	DRWG. NO.	REV.
ZJN	06/22/95	SRK	N.T.S.	2-2123	C