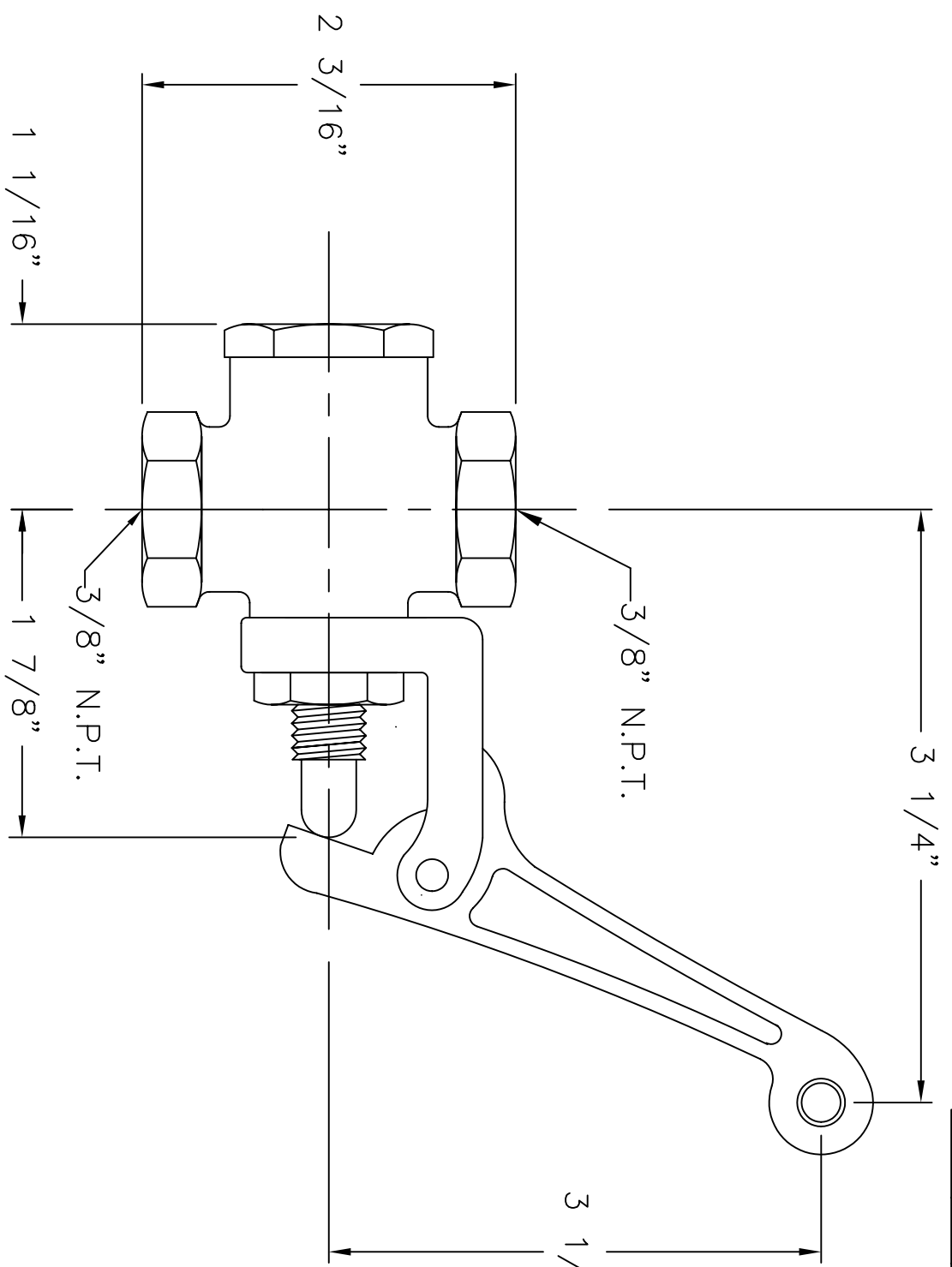


2-1753-C



REV.	BY	DATE	DESCRIPTION	APP'D.
C	ZJN	06/95	DIMENSION & PARTS UPDATE	SRK

NET WEIGHT
1 1/4 LBS.

PL 2-5364



KAHLEBERG BROS. CO. TWO RIVERS, WI. U.S.A.

OUTLINE DIMENSIONS
BRONZE WHISTLE VALVE
3/8" N.P.T., FIG. V-12, RENEWABLE
DISC, 250 P.S.I. AIR, MARINE SERVICE
VA /21753 / 00000 / NF

DR.	DATE	CKD.	SCALE	DRWG. NO.	REV.
ZJN	06/21/95	SRK	N.T.S.	2-1753	C